

## Metro - 36"

## Specification & Installation Guide

### Features

- Free standing 36" vanity : 33"(838mm)H x 22"(560mm)D x 35-5/8"(905mm)W
- Furniture grade plywood layered with solid wood veneer and protected with several coats of polyurethane (No particle board or MDF used)
- Matching finish inside out
- Two fully adjustable drawers with full-extension soft-close European hardware
- Drawers include adjustable tempered glass dividers and retainers
- Feet option: 4 L-feet or 2 S-feet in polished chrome or brushed nickel.

### Top/Basin options

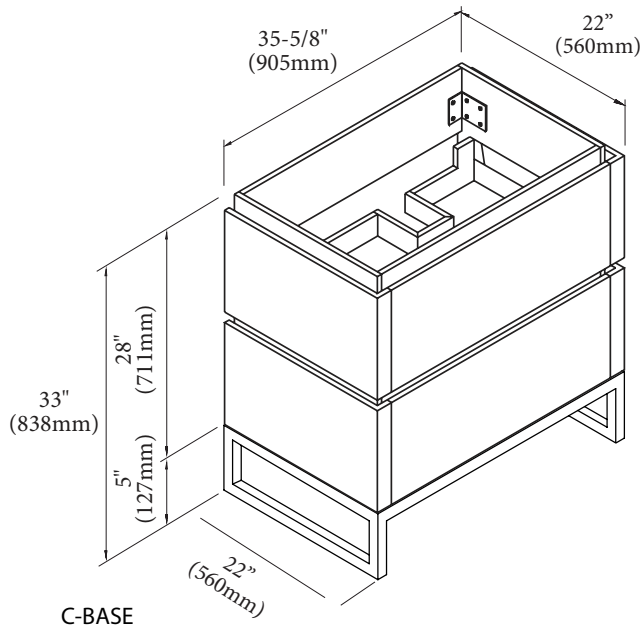
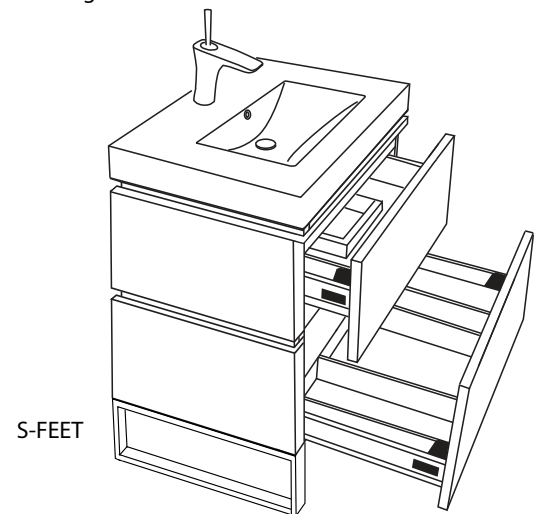
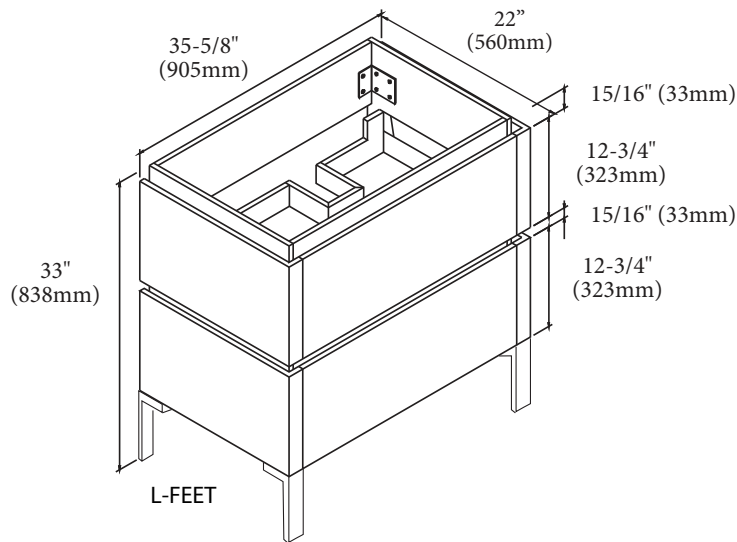
- Quartzstone™ top & White ceramic basin
- Glossy White X-Stone top/basin
- Glossy or Matte White X-Stone flat countertop
- Tempered glass top and ceramic basin

### Package Dimensions

40" x 26" x 30"

### Weight

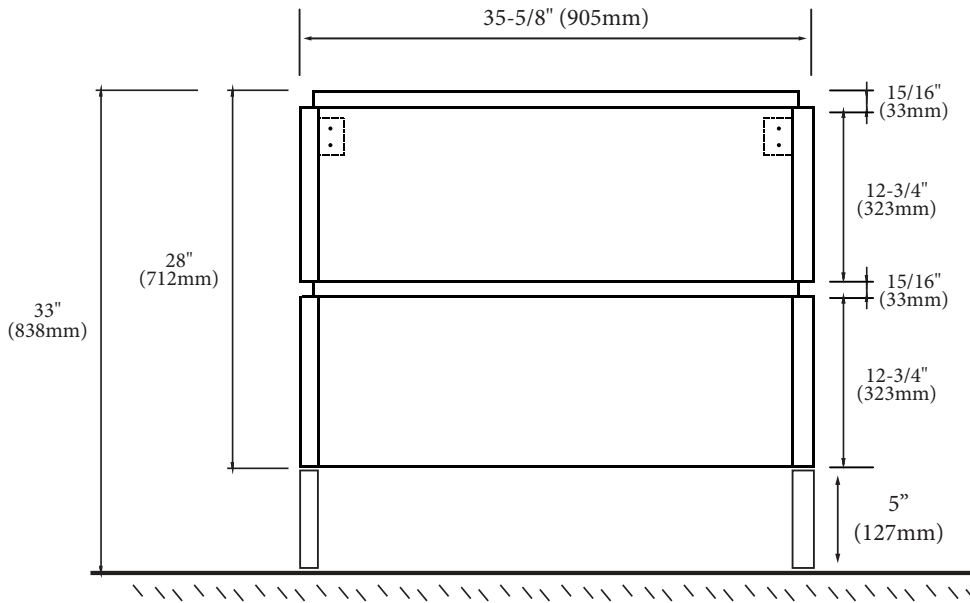
182 lbs. / 83 kgs



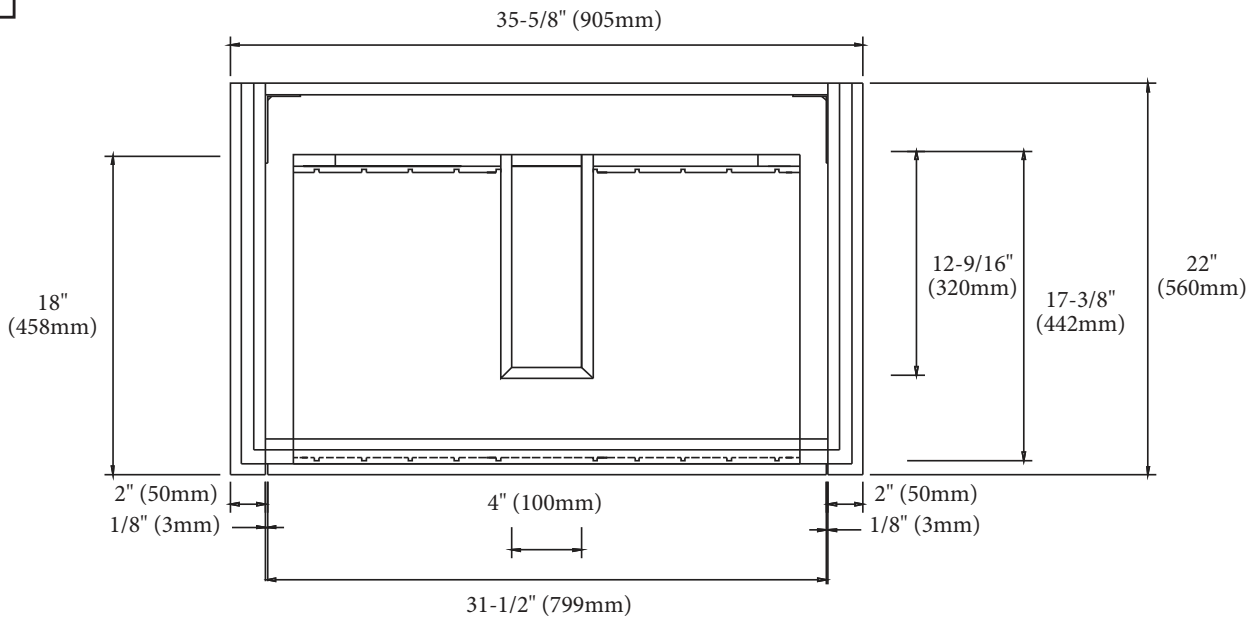
## Metro - 36"

## Specification & Installation Guide

### FRONT VIEW

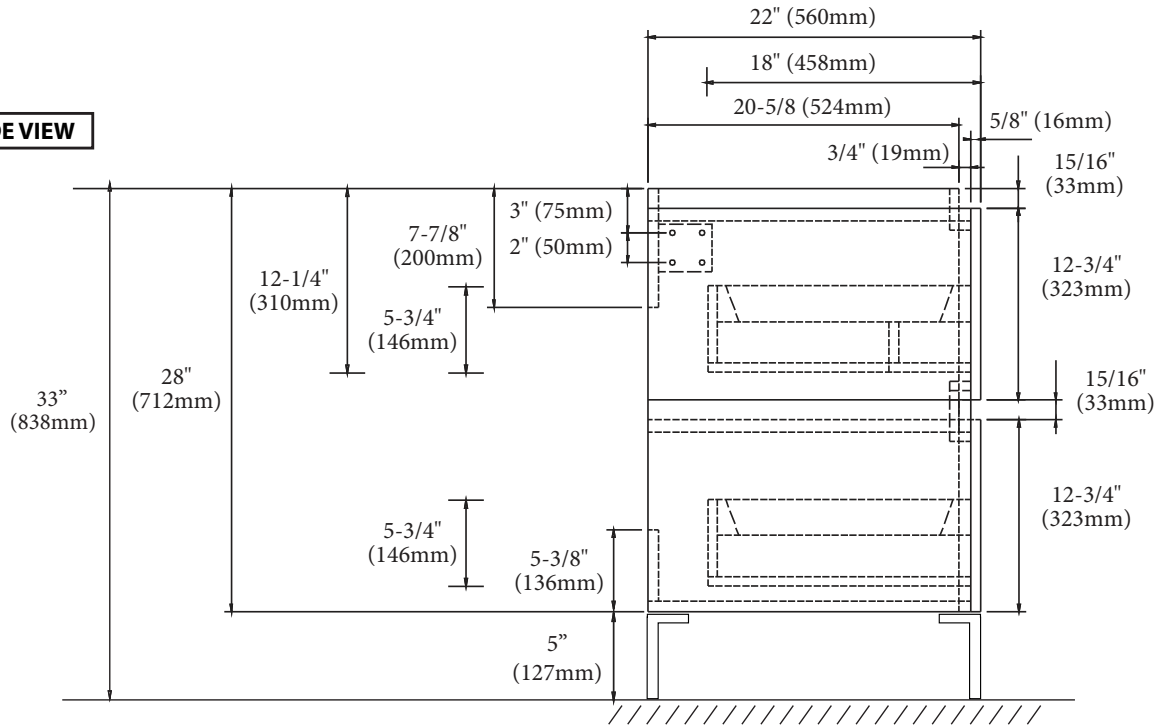


### TOP VIEW

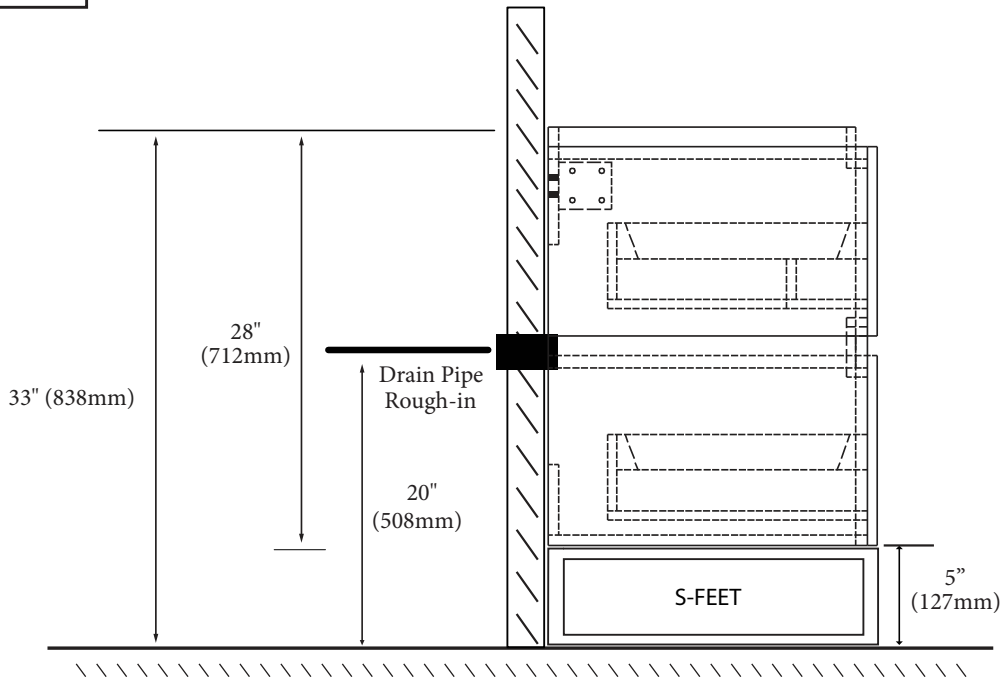


**Metro - 36"** **Specification & Installation Guide**

**SIDE VIEW**



**ROUGH-IN DIMENSIONS**



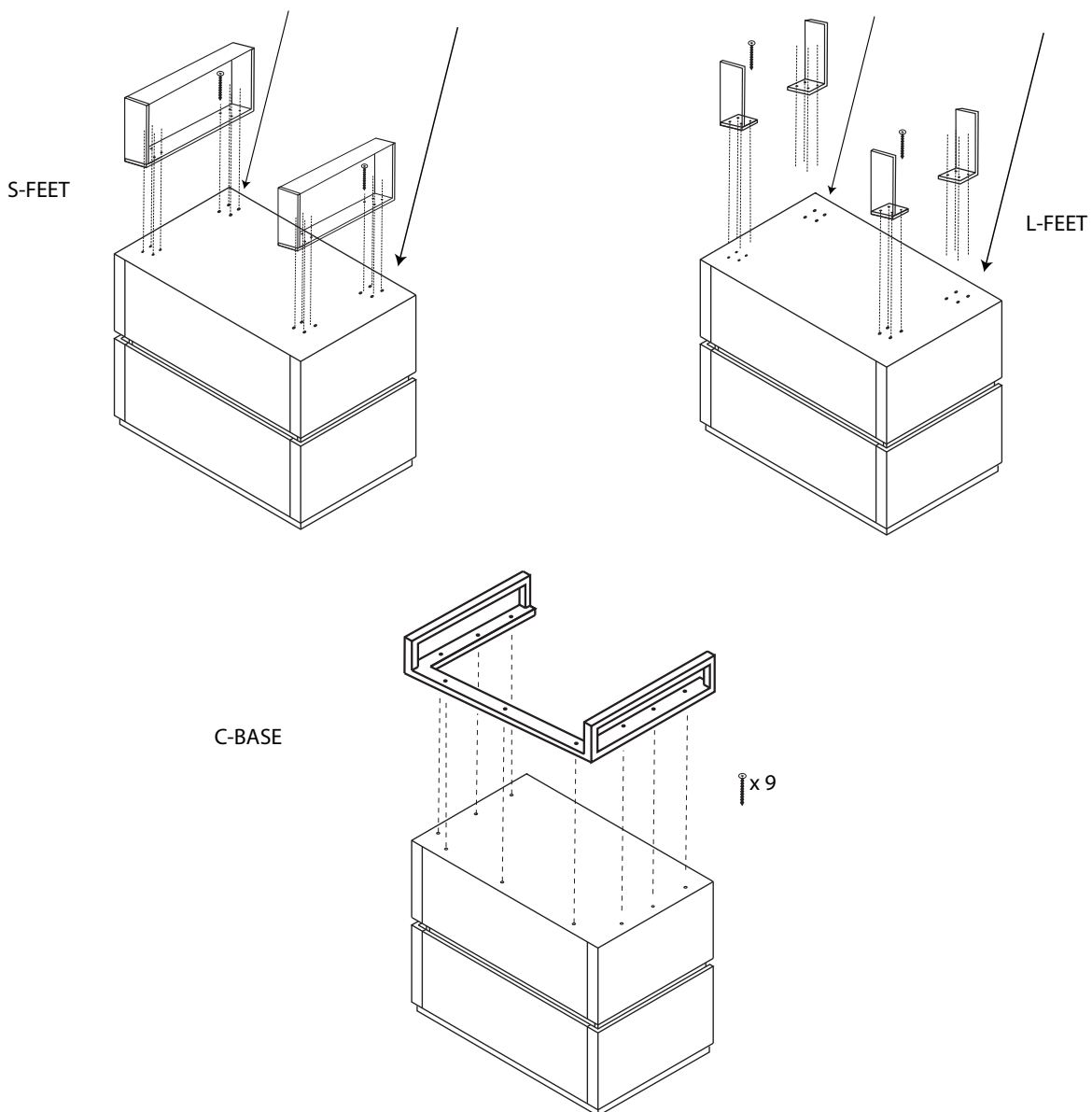
## Metro - 36"

## Specification & Installation Guide

### INSTALLATION INSTRUCTIONS

#### 1. Install feet

1. Place feet in indicated positions.
2. Mark screw locations.
3. Pre-drill holes with 5/64, 3/32 or 7/64 drill bit about 1/2" deep.
4. **DO NOT OVER TIGHTEN THE SCREWS. DOING SO WILL SPLIT THE WOOD SIDE PANEL.**
5. If using a regular battery drill, set clutch to minimum and increase setting as needed.
6. **DO NOT USE AN IMPACT DRILL. IT WILL SPLIT THE WOOD SIDE PANEL.**

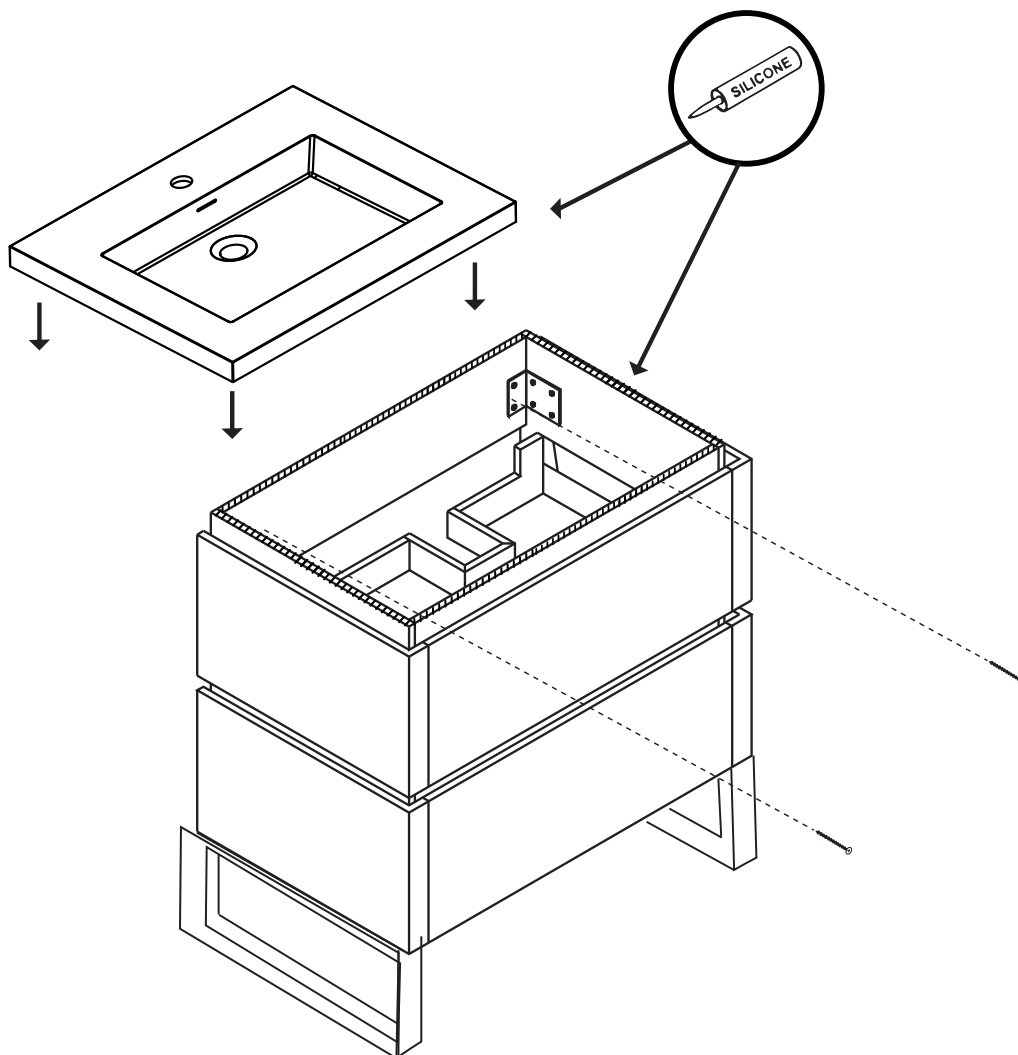


**For clarification, please contact Madeli Customer Care at (800)-819-6988 or (305)-718-8817 Ext. 1**  
All dimensions are approximate and subject to standard tolerance. Specifications subject to change without prior notice.

04 | Page

## **CABINET PLACEMENT & INSTALLATION - SECURE CABINET TO WALL**

- 1) Level cabinet in position
- 2) Secure cabinet with screws in drywall studs
- 3) Install countertop with silicone



**For clarification, please contact Madeli Customer Care at (800)-819-6988 or (305)-718-8817 Ext. 1**  
All dimensions are approximate and subject to standard tolerance. Specifications subject to change without prior notice.

05 | Page